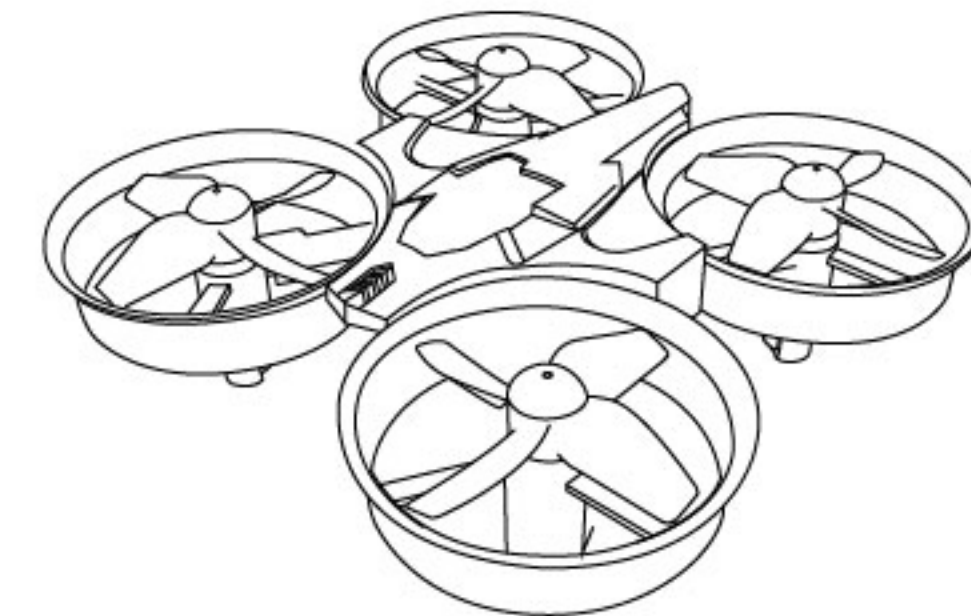


INSTRUCTION MANUAL

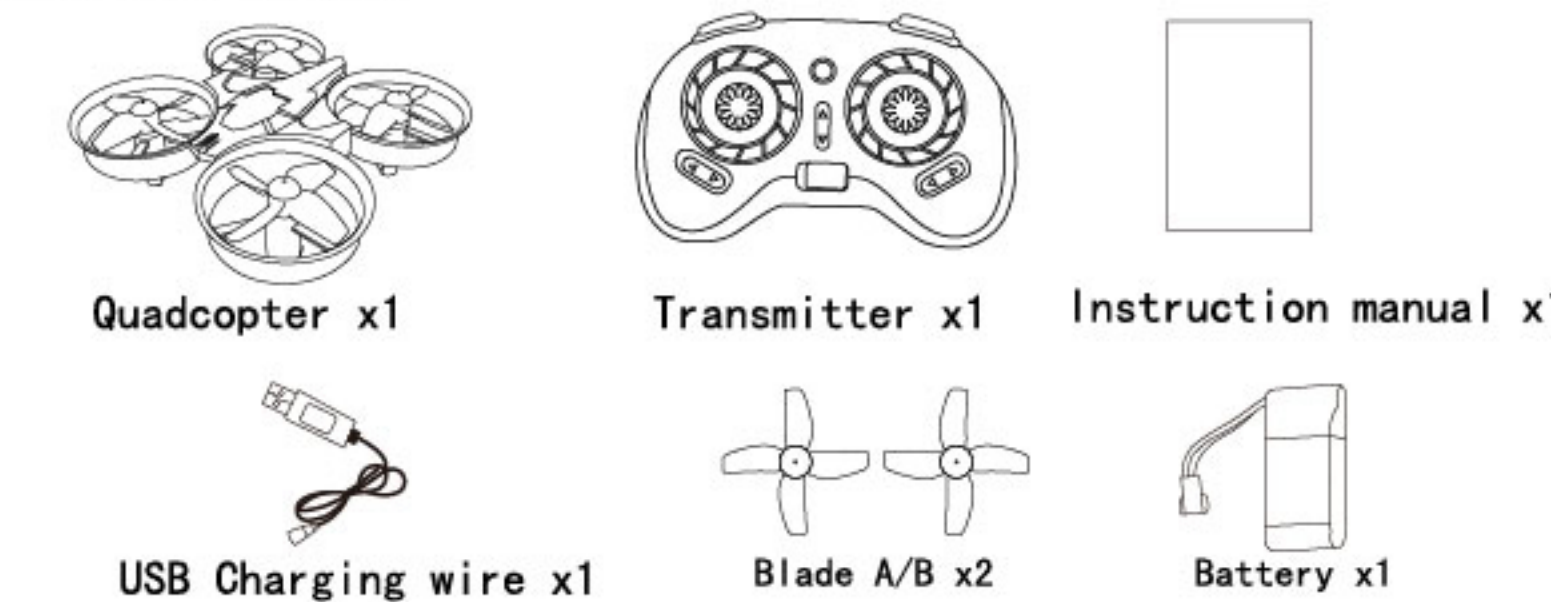


- Headless mode
- One key flip
- One key rotation
- One key recover balance mode
- One key Headless mode return
- Brand new remote with trimming control mode

6-Axis Gyro System 2.4GHz 6Channel 360° Flips

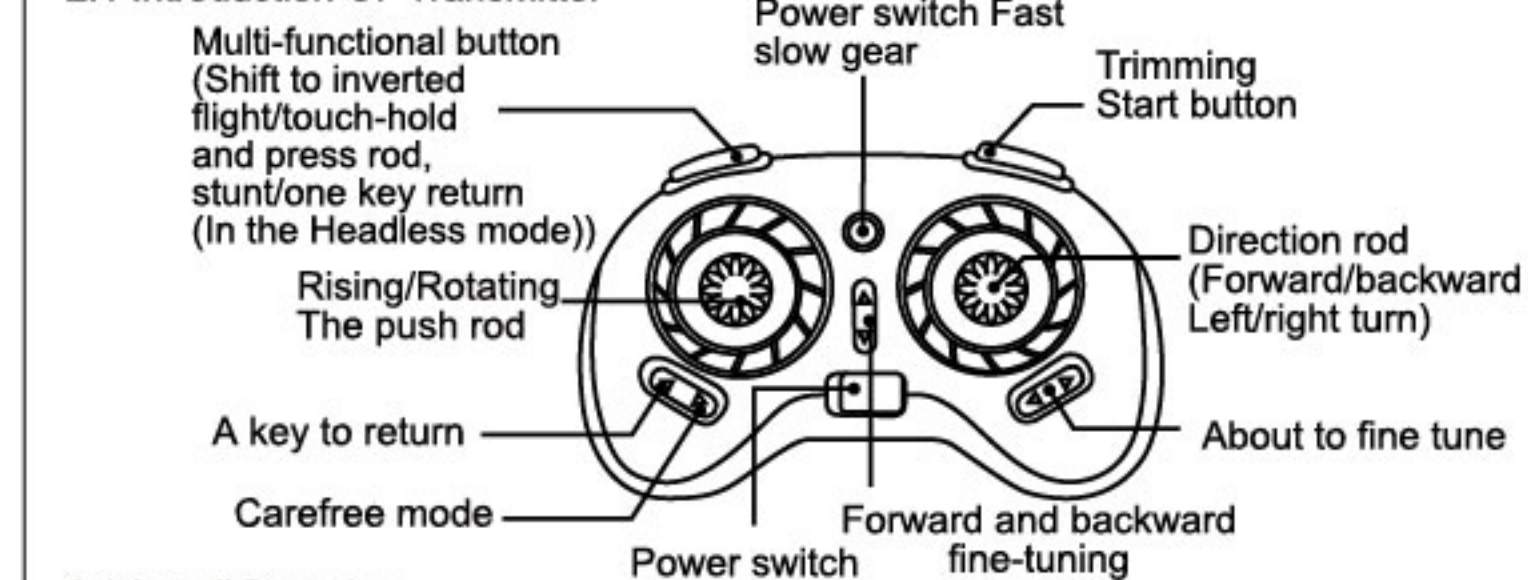
please read the Instruction Manual carefully before using.
Please keep this manual for further reference.

1. INCLUDED PARTS

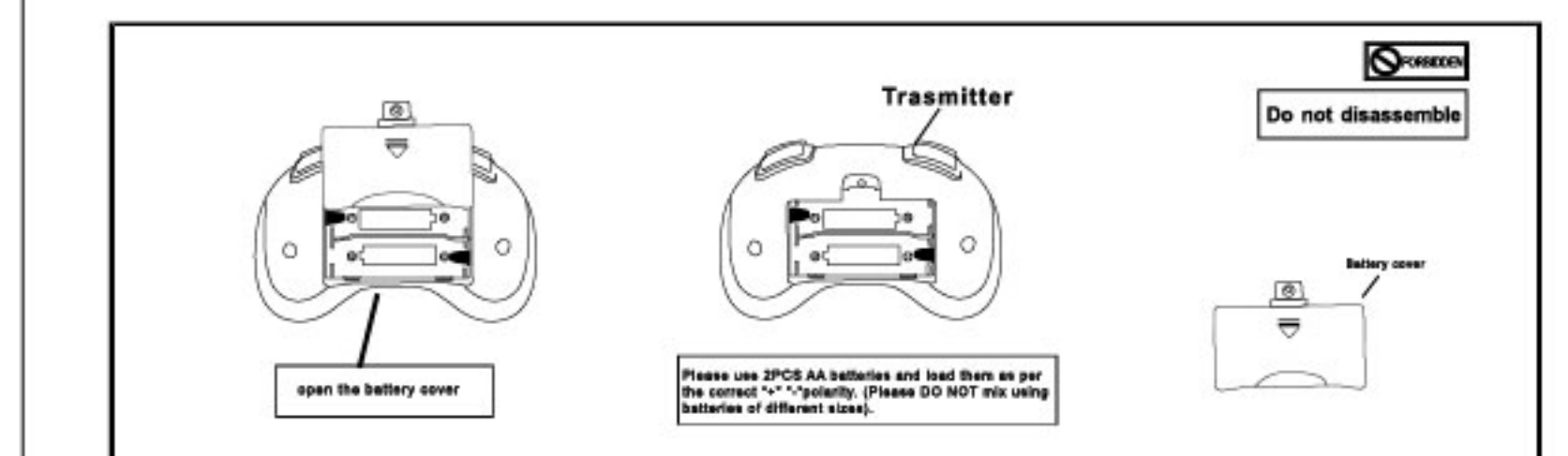


2. TRANSMITTER

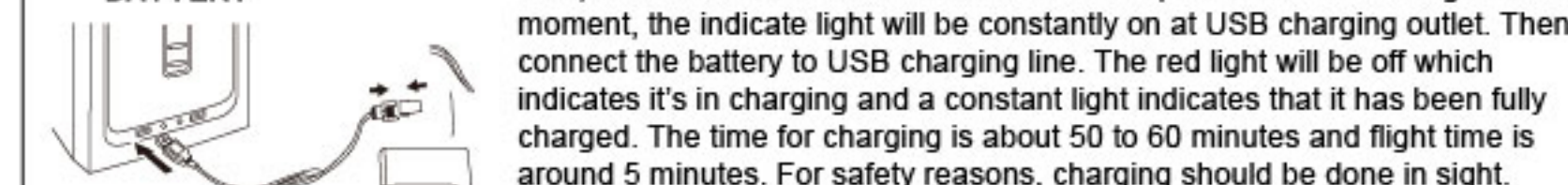
2.1 Introduction Of Transmitter



2.2 Install Batteries



3. CHARGING LI-PO BATTERY

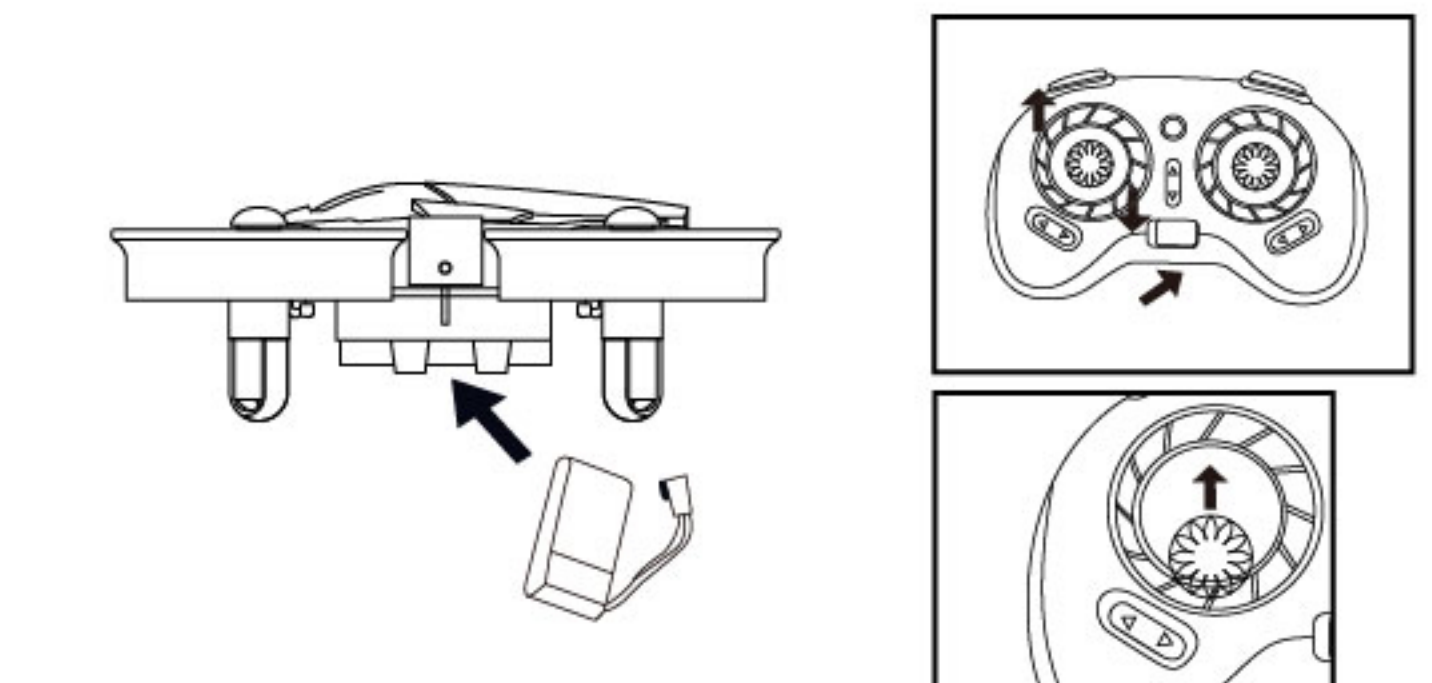


First, connect USB to the USB slot on the computer or to USB charger. At this moment, the indicate light will be constantly on at USB charging outlet. Then connect the battery to USB charging line. The red light will be off which indicates it's in charging and a constant light indicates that it has been fully charged. The time for charging is about 50 to 60 minutes and flight time is around 5 minutes. For safety reasons, charging should be done in sight.

4. OPERATION INSTRUCTIONS

4.1 Power on & Match

- Insert the battery into the battery compartment of the quadcopter, Power on the quadcopter (the two LED indicators will flash). Put the quadcopter on a flat surface.
- Switch power on, and the controller will beep twice and it's the indicators flash. The indicators on the quadcopter will flash as well.
- Push the left rod completely forward and controller will beep one time. The indicator on the controller and two indicators on the quadcopter will flash. Pull the left rod completely to the bottom and the controller again beep once. The indicator on the controller and the four indicators on the quadcopter will turn on. The two are now paired.



4.1.2 After code match is done with the air vehicle, push the left joystick throttle to start the air vehicle.

4.2 Gyroscope collaboration

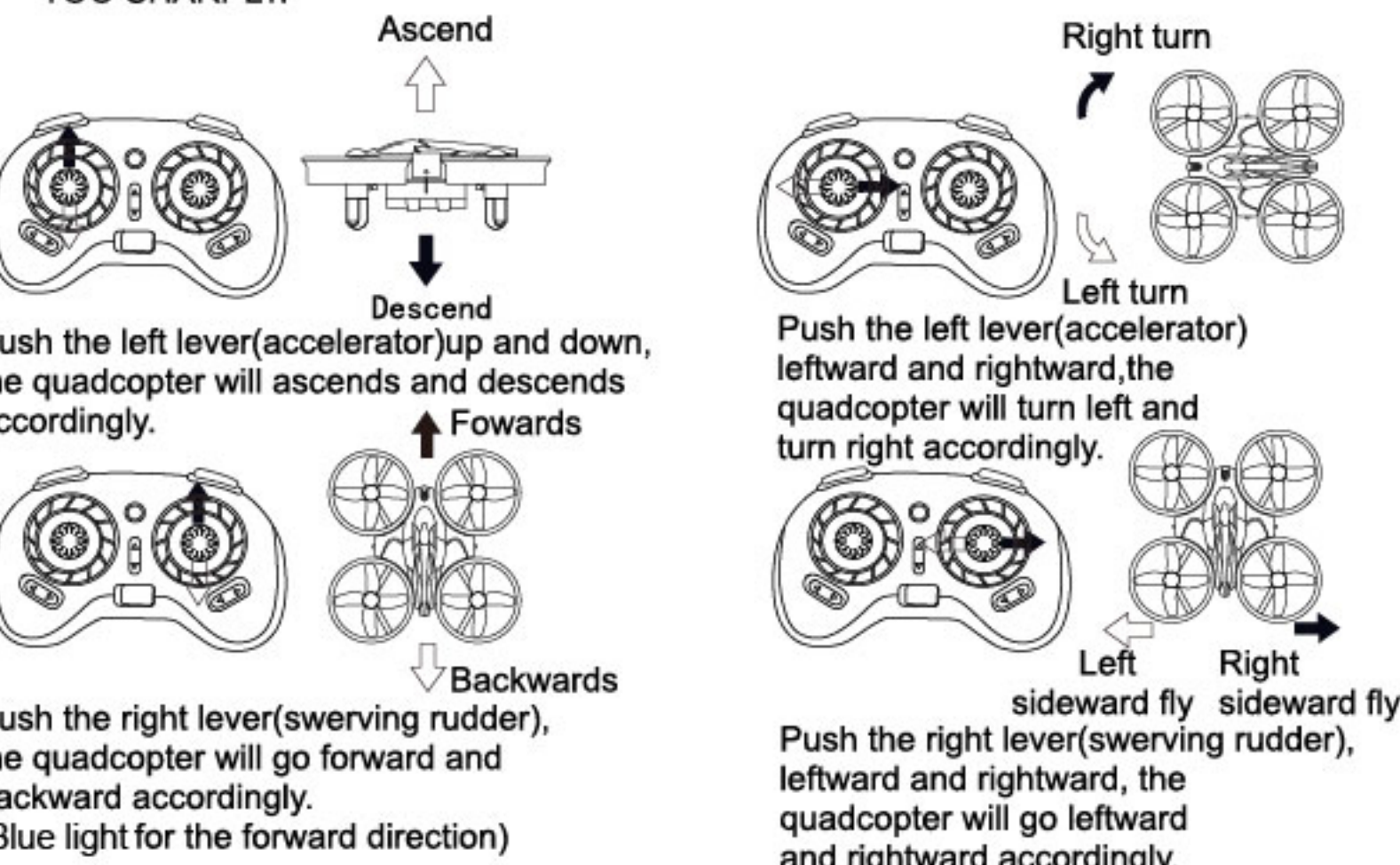
When code match is finished, put the air vehicle on a level position and return the throttle stick to zero. Push the direction stick 45 degrees toward the left bottom to collaborate the gyroscope. If two LED lights flick on the air vehicle, it means the gyroscope is returning and scanning for position. If the LED light stops, it suggests the collaboration is successfully done. (Refer to the picture on the right)

Note: Before flying, the quadcopter should be placed on a flat surface to calibrate to ensure stable flying. If the quadcopter flies off track, you can adjust it with the remote.

5. OPERATING AND CONTROL

5.1 Operation

It may take some time to learn how to operate this quadcopter. Please take your time to learn in the beginning. If the quadcopter slightly descends, softly push the left rod to adjust the flying height. DON NOT PUSH THE ROD TOO SHARPLY.



5.2 Trimming

ADJUSTMENT OF EACH TRIM

Slowly push upward the throttle lever. When the aircraft is flying off the ground, if the aircraft keep inclining to different direction, please use the trimmer key to trim it to fly in normal state.

- Adjustment of elevator trim: Just before the aircraft lift-off, the nose lean forward/backward... When leans forward, adjust the trim to down. When leans backward, adjust the trim up.
- Adjustment of aileron trim: When the aircraft is just taking off, the aircraft may make left/right side-flying... When making right-side flying, please trim it to the left. When making left-side flying, please trim it to the right.

6. 360° FLIPS

Press down the right rod and the transmitter will beep one time to enter advanced mode. Now flip is allowed. In order to get good flipping performance, it is recommended to keep 1.5 meters of altitude between the quadcopter and the ground. It will make flipping easier during ascending as altitude will be lost during flips.

6.1 Leftward 360° flip

Press down the right rod and the transmitter will beep. Push left and the quadcopter will flip left.



6.2 Rightward 360° flip

Press down the right rod and the transmitter will beep. Push right and the quadcopter will flip right.



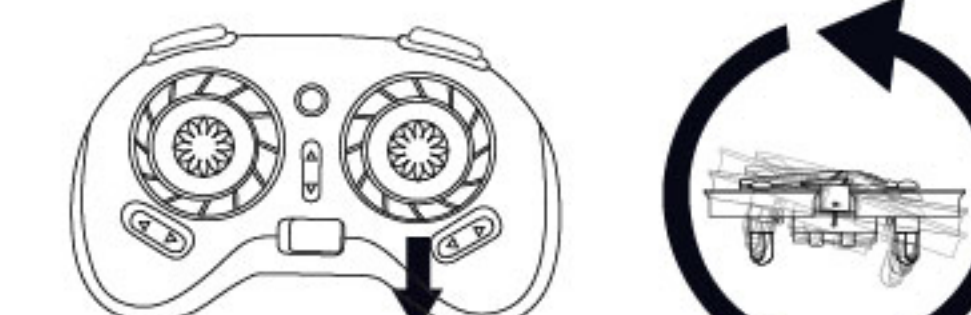
6.3 Forward 360° flip

Press down the right rod and the transmitter will beep. Push forward and the quadcopter will flip forward.



6.4 Backward 360° flip

Press down the right rod and the transmitter will beep. Push back and the quadcopter will flip backward.



7. HEADLESS MODE

7.1 Headless Mode Shift

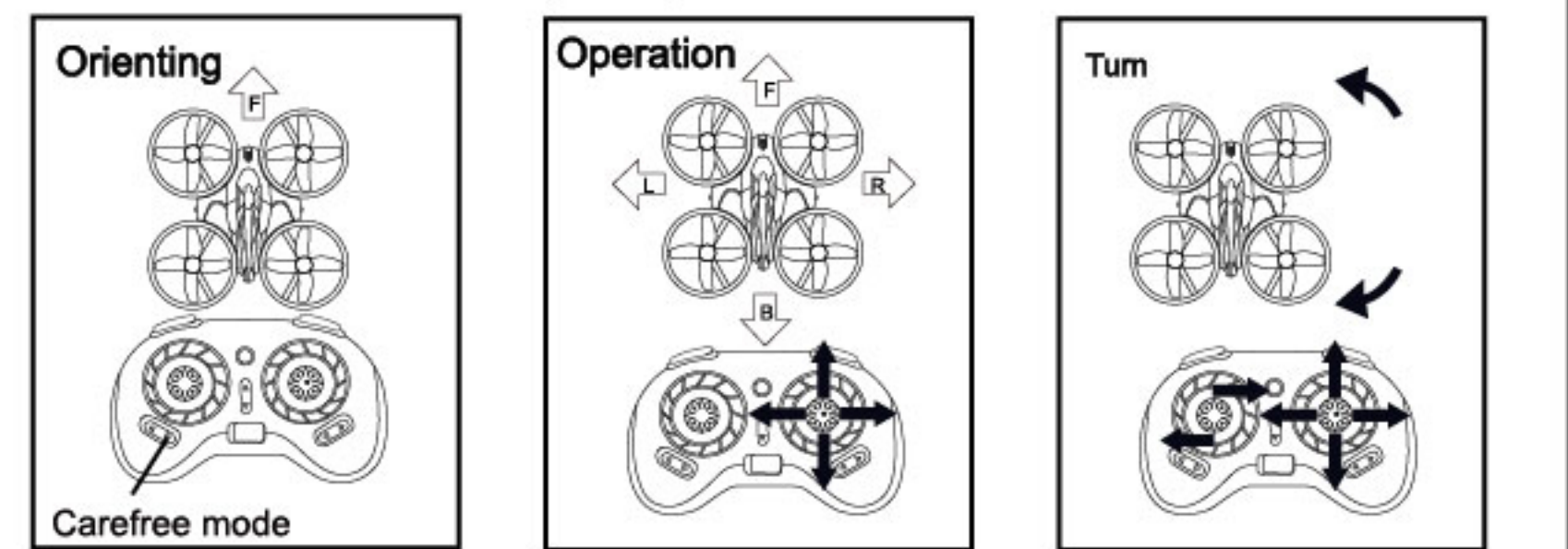
Headless mode simplifies flying by eliminating the transmitter. No matter where the quadcopter points, it will follow the forward, left, right, and back of the transmitter.

※ Starting Headless Mode

After pairing the quadcopter, press down on the left rod to enter Headless Mode. This can be done when the quadcopter is in the air or on the ground. The transmitter will beep and the diagonal two indicators on the quadcopter will flash.

※ Leaving Headless Mode

Press down on the left rod to exit Headless Mode. The controller will beep and all four indicators on the quadcopter will turn on.



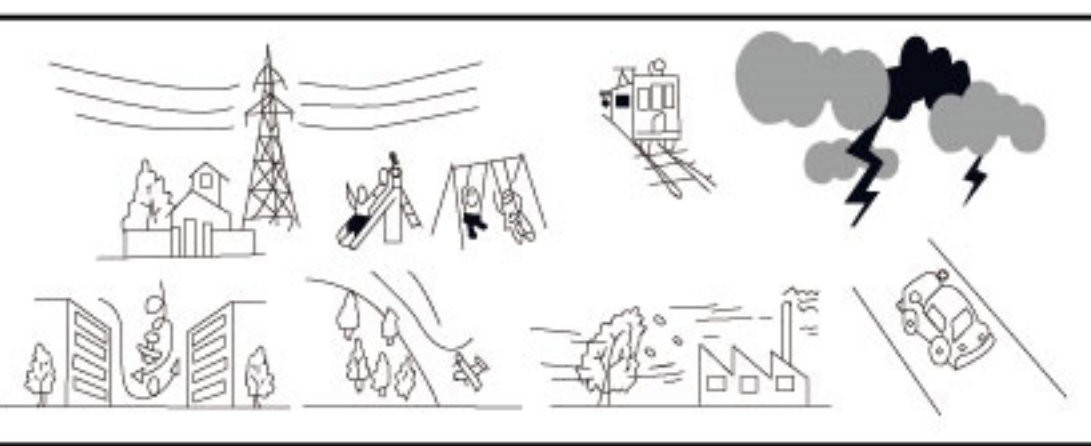
See the diagram. Note in Headless Mode, a forward push on the controller will send the quadcopter in a forward direction, away from you. Pull back and the quadcopter will come towards you again, no matter the orientation of the front black blades of the quadcopter to the user as long as he is stationary. If the user changes location, simply re-pair the controller using below instructions.

7.2 Direction Calibration

A crash could cause the quadcopter to tilt in the wrong direction, needing to be recalibrated. Put the quadcopter on flat ground and press the trimming button. The transmitter will beep and the indicator will flash. Spin the right rod clockwise. Two of the red indicators on the quadcopter will light up and then flash diagonally. The transmitter indicator will also light on. The direction is now calibrated. The head of the quadcopter will be the forward direction. (Black blades for the forward direction). If in air, press the left rod to cancel headless mode, adjust and make sure the quadcopter and transmitter are forward to same direction, then press the left rod to enter headless mode, now the direction is also calibrated.

Low Power Alert
When the two indicators on the quad flash together, this indicates low power. The flip mode will shut down and the quadcopter will return to normal mode automatically.

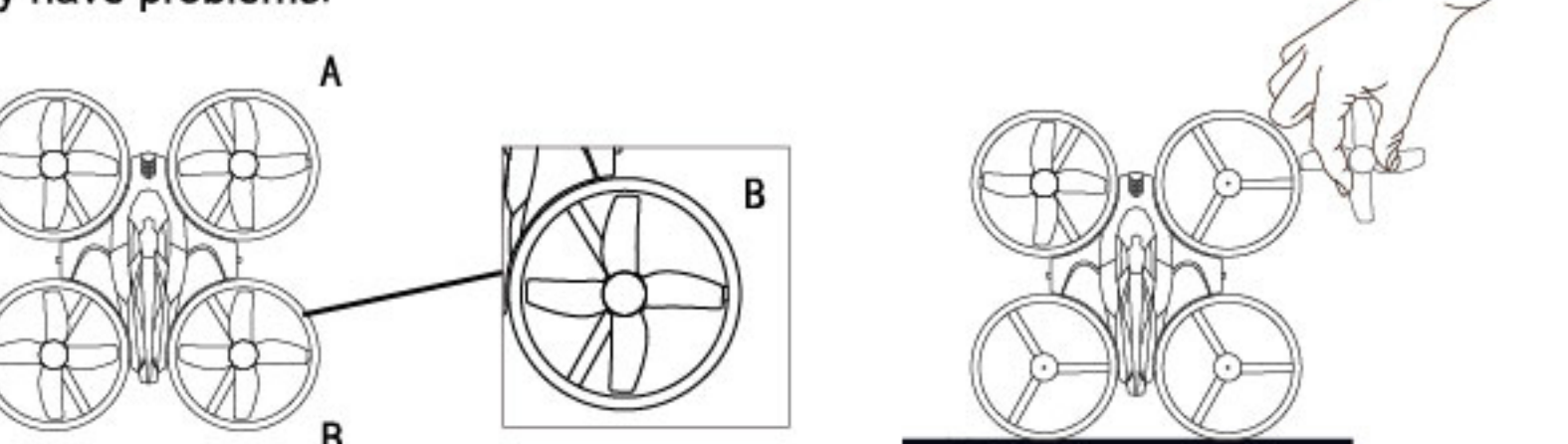
8. FLIGHT ENVIRONMENT



Under the bad conditions above, the quadcopter shall not operate to avoid any potential damages.

9. INSTALL BLADES

The blades shall be installed to designated location. Blade A/B shall be installed to Location A/B on body. Or the quadcopter may have problems. Install blades: Hold the head to aim at the motor axis and press down to lock. Be careful not to damage or deform the blades.



10. TROUBLE SHOOTING

- Transmitter and quadcopter not bond: Solution: 1) To ensure that the frequency of success. Re frequency. 2) Battery power shortage, replace the battery.
- Unable to flip: Solution: 1) Press Function combination button, change to flip mode. 2) Check if Li-po power is too low and needs to be recharged.
- Quadcopter is shaking with noise: Solution: 1) Check blade if deformation or not, replacement new blade. 2) Off the quadcopter power and restart. 3) Put the quadcopter in the horizontal plane, and recalibrate the gyroscope.
- Cannot take off: Solution: 1) Wrong installation of the blade. Make sure the blade placed on the right motor. 2) Check quadcopter canopy if loose or not, block blades flying. 3) Check quadcopter battery is power full, if the low power, quadcopter canopy inner light will be alternately flashing.