

# Instruction Manual

2019 iFlight Innovation Technology Co.,Ltd  
All Right Reserved  
Version: V1.01

---

# CINEBEE 75 HD

---



To receive product updates, special offers and more, register your product at [www.iflight-rc.com](http://www.iflight-rc.com).

NOTICE: Consult local laws and ordinances before operating FPV (first person view) equipment. In some areas, FPV operation may be limited or prohibited. You are responsible for operating this product in a legal and responsible manner.

## NOTICE

All instructions, warranties and other collateral documents are subject to change at the sole discretion of IFLIGHT INNOVATION LIMITED. For up-to-date product literature, visit [www.iflight-rc.com](http://www.iflight-rc.com) and click on the support tab for this product.



**WARNING:** Read the ENTIRE instruction manual to become familiar with the features of the product before operating. Failure to operate the product correctly can result in damage to the product, personal property and cause serious injury.

This is a sophisticated hobby product. It must be operated with caution and common sense and requires some basic mechanical ability. Failure to operate this Product in a safe and responsible manner could result in injury or damage to the product or other property. This product is not intended for use by children without direct adult supervision. Do not use with incompatible components or alter this product in any way outside of the instructions provided by IFLIGHT INNOVATION LIMITED. This manual contains instructions for safety, operation and maintenance. It is essential to read and follow all the instructions and warnings in the manual, prior to assembly, setup or use, in order to operate correctly and avoid damage or serious injury.

**Age Recommendation:** Not for children under 14 years. This is not a toy. Safety Precautions and Warnings

- Always keep a safe distance in all directions around your model to avoid collisions or injury. This model is controlled by a radio signal subject to interference from many sources outside your control. Interference can cause momentary loss of control.
- Always operate your model in open spaces away from full-size vehicles, traffic and people.
- Always carefully follow the directions and warnings for this and any optional support equipment (chargers, rechargeable battery packs, etc.).
- Always keep all chemicals, small parts and anything electrical out of the reach of children.
- Always avoid water exposure to all equipment not specifically designed and protected for this purpose. Moisture causes damage to electronics.

- Never place any portion of the model in your mouth as it could cause serious injury or even death.
- Never operate your model with low transmitter batteries.
- Always keep aircraft in sight and under control.
- Always move the throttle fully down at rotor strike.
- Always use fully charged batteries.
- Always keep transmitter powered on while aircraft is powered.
- Always remove batteries before disassembly.
- Always keep moving parts clean.
- Always keep parts dry.
- Always let parts cool after use before touching.
- Always remove batteries after use.
- Never operate aircraft with damaged wiring.
- Never touch moving parts.

This product uses Betaflight Third Party Software in portions of its coding. For more information on Betaflight Software, please visit: <https://github.com/betaflight/betaflight/wiki>.

**THIRD PARTY SOFTWARE:** This product may include code developed by one or more third parties ("Third Party Software"). Some Third Party Software may be subject to other terms and conditions that may be available for download with the product documentation. Notwithstanding the terms and conditions of this Agreement, the Third Party Software is licensed to you subject to the terms and conditions of the software license agreement identified in the open source software disclosure. If the third party terms and conditions include licenses that provide for the availability of source code (such as the GNU General Public License), the open source software disclosure or the media on which the software may be delivered will provide instructions where a copy of such source code can be obtained.

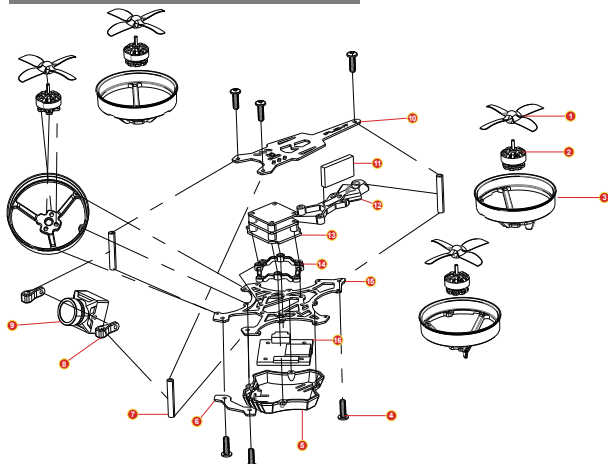
### CineBee 75HD SPECIFICATION

Weight: 68g (without battery)  
Motors: 1103 10000KV 2-3S  
SucceX Micro F4 fly tower(w/12A 2-4S ESC+F4 FC+VTX 0-200mW)  
Props: HQ prop 1.6" 4-Blades Prop (Gemfan 1.6" 3-Blades Prop)  
HD DVR Camera: CADDX Turtle V2  
Receiver Option: Frsky XM+ / DSMX / Futaba S-FHSS / Flysky / TBS Crossfire  
Frame: CineBee 75HD Frame  
Battery strap fits for micro 2S-3S battery  
Flight time: 3 min 30 sec with 450mAh 3S battery

### BOX CONTENTS:

CINEBEE 75HD BNF DRONE  
- Optional Receiver  
- 4 x 1103 10000Kv FPV Motors  
- SucceX Micro F4 Flight Controller  
- SucceX 12A 4-in-1 ESC Dshot 600  
- 25/100/200mW Adjustable Video Transmitter  
- Caddx turtle V2 FPV Camera  
- 1.6 inch 1.5mm hub Gemfan and HQ prop  
- Battery Straps

### Parts Explosion

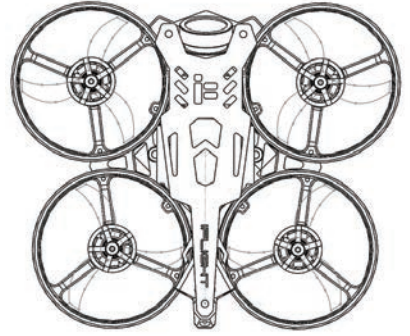


### Parts Listings

- 1- Propeller
- 2- BeeMotor 1103
- 3- Prop guard
- 4- M2 screw
- 5- Camera board cover
- 6- Carbon fiber protective plate
- 7- M2 x25 standoff
- 8- 3D print camera mount
- 9- Caddx turtle V2 FPV Camera
- 10- Top plate
- 11- Receiver
- 12- 3D print receiver holder
- 13- SucceX micro flytower
- 14- Flywoter adapter mount
- 15- Bottom plate
- 16- Caddx turtle V2 camera record board

## Installing the Propellers

1. Refer to the illustration for the proper motor rotation and propeller location.
2. The propellers have "CW" or "CCW" marked on one blade to show proper location and rotation. Match the propeller location to the illustration.
3. To take off the propeller, hold the motor bell and twist the prop back and forth...  
\*Grasp bell before removing props to avoid damage in case you want to change the default propeller installing



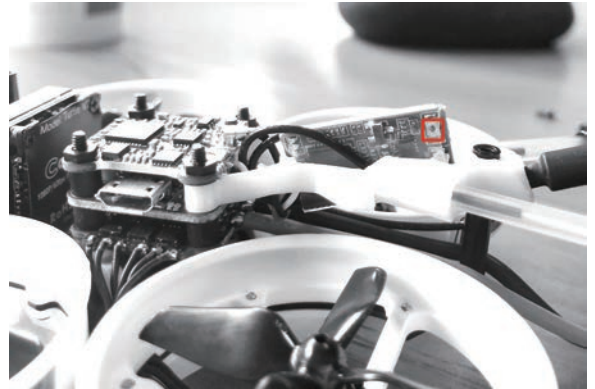
**CAUTION:** Always disconnect the Li-Po battery from the quadcopter when not flying to avoid over-discharging the battery. Batteries discharged to a voltage lower than the lowest approved voltage may become damaged, resulting in loss of performance and potential fire when batteries are charged.

## Transmitter and Receiver Binding

To bind or re-bind your quadcopter to your chosen transmitter, follow the directions below.

### General Binding Procedure

1. Select the correct model in your transmitter.
2. Power on your transmitter.
3. Lower the throttle fully.
4. Power the quadcopter on while pressing the bind button on the TPU 3D print mount, as shown in the picture.
5. Follow the procedures of your specific transmitter to enter Bind Mode.
6. The receiver LED glows solid orange indicating binding was successful.



If you encounter problems, obey binding instructions and refer to the troubleshooting guide for other instructions.

**Failsafe**  
The included receiver does not have failsafe capabilities. Failsafe is detected at the flight controller. In the event of a loss of signal to the receiver the flight controller will cut power to the motors to prevent a fly-away situation.

### How to Binding your Taranis

The following steps are the actual binding procedures for the OpenTX Taranis series of radios:

1. Power off your quadcopter (RX) and power on your Taranis.
2. Press the Menu button on the Taranis to activate the Model Selection page.
3. Select an un-used model and press Page.
4. Optionally select and enter a name for your new quadcopter.
5. Using the +/- buttons, scroll to the bottom of the menu to Internal RF | Mode.  
Select D16 for all miniquad receivers (which includes X4R-SB, XSR, XM+).
6. Scroll down to [Bind] using the - button. Press the ENT button on your TX to enable binding mode.  
Your Taranis should begin making an intermittent chirping noise.
7. Find the physical push button on your RX. It is most often next to the LED that turns on when it is powered up.  
On the XM+ it is very small and near the antenna. This is the Failsafe button.
8. Press and hold the Failsafe button while powering up your receiver/quadcopter.  
This can take more than two hands, so you may need to have some help.
9. When the receiver powers up, you should see a solid green light and a blinking red light. This indicates success.  
Any other light scheme means you likely have a problem, you should try the process again or consult the FrSky manual.
10. On the Taranis, press ENT to exit bind mode. Press EXIT several times to go back to the home page.
11. Power your receiver/quadcopter back on. Verify that it is showing a solid green light, indicating that it is successfully communicating with the radio. If your RX supports telemetry, you should see radio signal telemetry show up on your

### How to Binding your nano RX

1. Just power up the TBS CROSSFIRE transmitter
2. On the standard transmitter, enter the configuration menu by pressing and holding the joystick for 3 seconds, select "General" and "Binding" - a message "Binding" will start blinking, waiting for the receiver. On the micro transmitter, a short press on the button will initiate binding mode.
3. Now, power up the receiver (without pressing the Bind button!), if your receiver has not been previously bound, it will automatically bind. Otherwise, press and release the "BIND" button on the receiver to initiate binding. On the receiver is a timeout of one minute for after power up to enter bind mode. If the status LED will start blinking slowly the receiver has switched successfully to bind mode.
4. Within a few seconds the process will finish with a "Binding complete" message on the standard transmitter, or a solid green LED on the micro transmitter. The receiver has now stored the unique serial number of that particular CROSSFIRE transmitter. If it doesn't bind, please verify that your firmware is to the newest version on both the receiver and the transmitter.



## How to Binding your Spektrum

As a quick note, the place to type is at the bottom of the screen, not on the grey screen itself.

\*Within the CLI type:

\*set spektrum\_sat\_bind = 9 - for DSMX

\*set spektrum\_sat\_bind = 5 - for DSM2

\*Type save, your flight controller will now reboot. Once it has rebooted, remove the USB cable to power off the flight controller.

\*After a second, reconnect the USB cable and your receiver should flash (indicating it is in bind mode)

\*Turn on your R/C controller while holding the bind button (on the controller).

\*Once the binding is complete, the LED on the receiver should stop blinking.

\*Now connect back to BetaFlight and you can confirm it is bound by going to the receiver tab, and you should see the bars moving when you move your R/C controller sticks.

\*Now you need to turn off bind mode on your receiver.

\*To do this go back to the CLI and type set spektrum\_sat\_bind = 0

\*Type save to apply the settings. The board will reboot and now have completed the binding process!

## CADDX Turtle V2 Cam Quick operation guide:

1. RIGHT BUTTON: Press the RIGHT button for 3s-5s to activate video recording, in the meanwhile the light on the lower right corner will flicker.
2. LEFT BUTTON: Press the LEFT button for 3s-5s to stop video recording.
3. DOWN BUTTON: Press the DOWN button for 3s-5s to switch the resolution, 720P with Blue LED on, 1080P with Red LED on, the default mode is 1080P.
4. MIDDLE BUTTON: The MIDDLE button is the menu button.

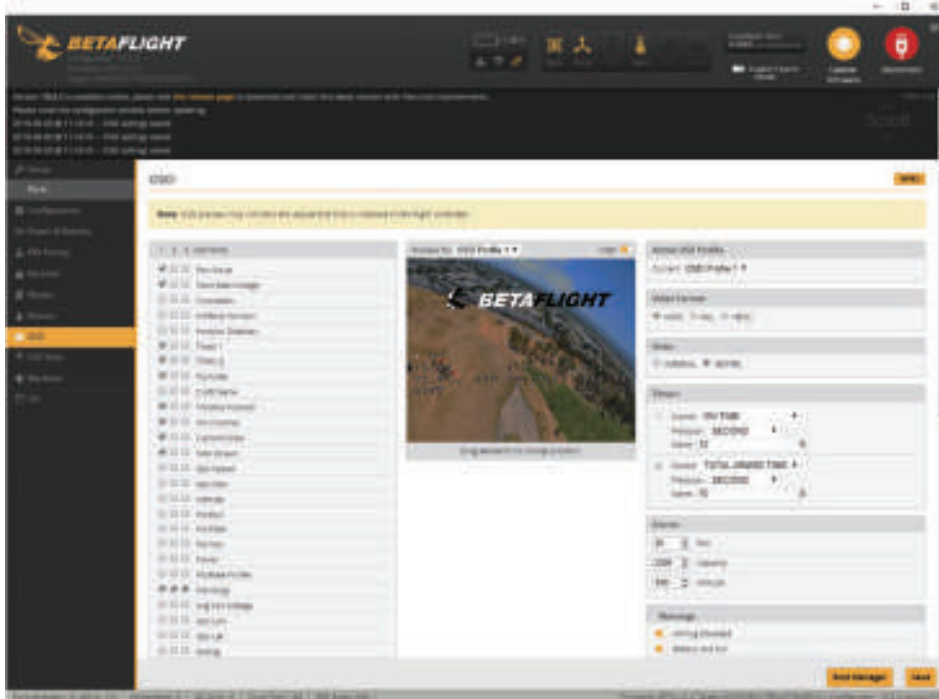
Notice: The camera need at least 8G Class 10 SD card.

Notes: If the power is cut accidentally when video recording, please power on again, then the camera will automatically restore the memory, and the video records before power cut will be still saved in TF card.

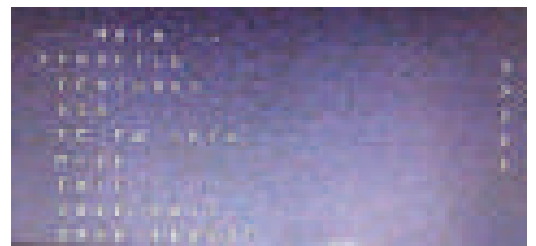


## SucceX Micro F4 OSD Setup in Betaflight Configurator:

The OSD configuration in Betaflight Configurator is mercifully simple. It all starts in the new "OSD" tab:



OSD Setup in the field



Transmitter stick movements

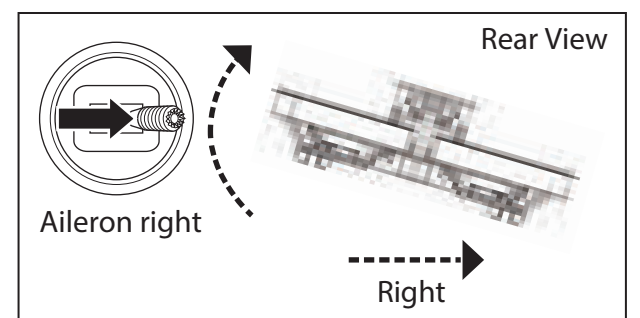
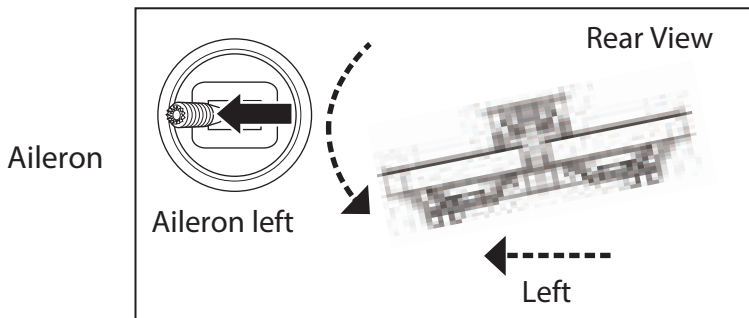
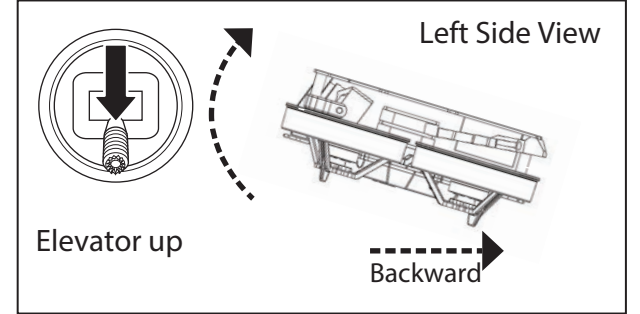
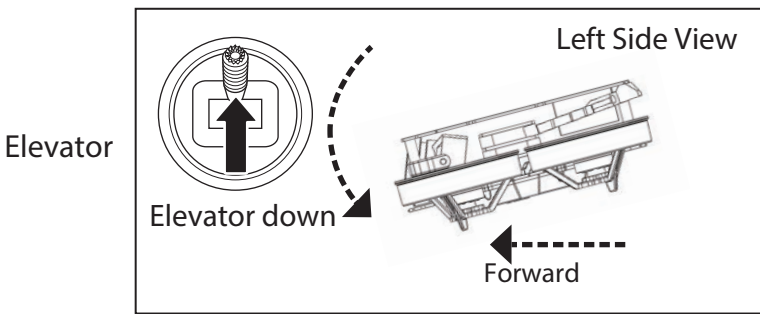
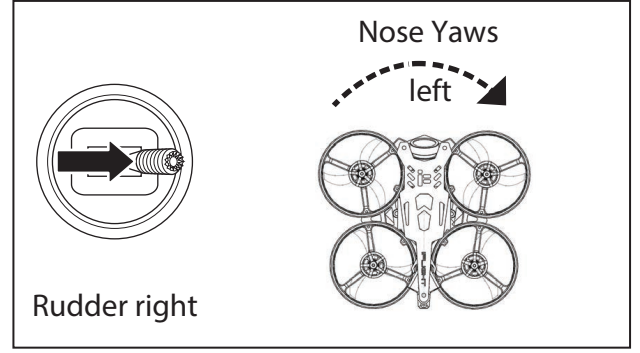
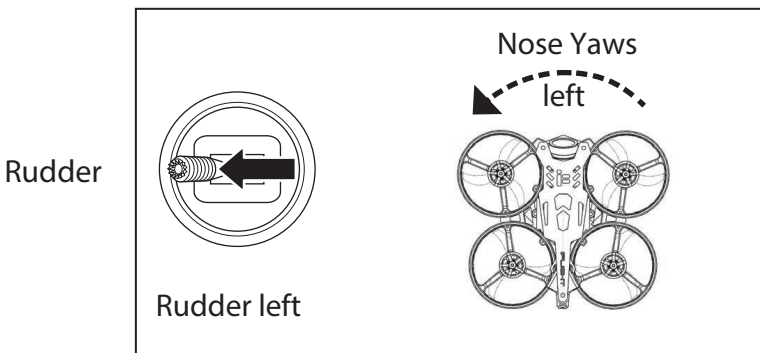
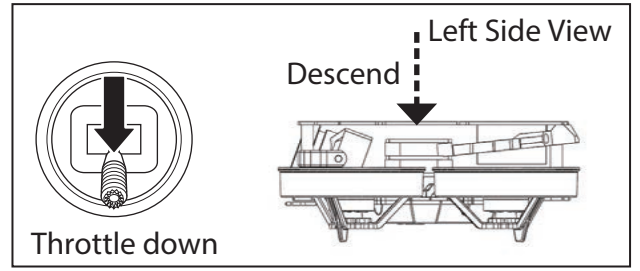
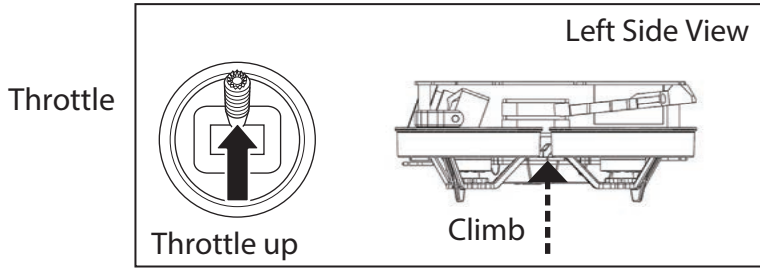


To access the menu, turn on your quadcopter, don your goggles and hold the following stick combination on your radio: Throttle stick mid, Yaw stick left, Pitch stick up, Roll stick centered. The menu should appear within 1 second.

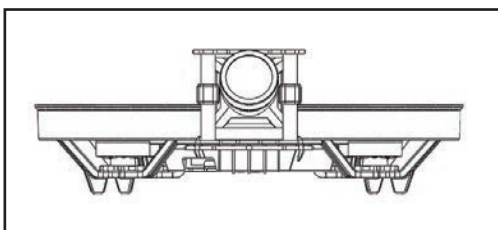
From here, you can scroll through the menu with your pitch stick. Pressing right with the roll stick will activate the current selected option. Some options, like the PIDs, are numbers which can be adjusted up with right roll stick and down with left roll stick.

# Understanding the Primary Flight Controls

If you are not familiar with the controls of your quadcopter, take a few minutes to familiarize yourself with them before attempting your first flight.



## Adjusting the FPV Camera Angle



Adjust the angle of the FPV camera by gently pushing the lense up or down to the desired angle.

# Post-Flight Inspection and Maintenance Checklist



**WARNING:** Remove the propellers from the motors prior to performing any troubleshooting or maintenance. Failure to do so may cause serious injury if the motors start unexpectedly.

Cleaning	Make sure the battery is not connected before cleaning. Remove dust and debris with a soft brush or a dry, lint-free cloth.
Motors	Replace the motor when the model will not fly steady or veers off when doing a climb out.
Wiring	Make sure the wiring does not block moving parts. Replace damaged wiring and loose connectors.
Fasteners	Make sure there are no loose screws, other fasteners or connectors. Do not over-tighten metal screws in plastic parts. Tighten screws so the parts are mated together, then turn the screw only 1/8th of a turn more. Do not use threadlock on or near plastic parts.
Propellers	Make sure there is no damage to the propellers or other parts that move at high speed. Damage to these parts includes cracks, burrs, chips or scratches. Replace damaged parts before flying.

## Troubleshooting Guide



**WARNING:** Remove the propellers from the motors prior to performing any troubleshooting or maintenance. Failure to do so may cause serious injury if the motors start unexpectedly.

Problem	Possible Cause	Solution
Difficulty binding	*Bind button not pressed while powering on the quadcopter	Power off quadcopter and repeat bind process
	*Bind switch or button was not held while transmitter was powered on	Power off quadcopter and repeat bind process
	*Transmitter too near aircraft during binding process	Power off transmitter. Move transmitter farther from the aircraft or shield the aircraft from transmitter using your body. Disconnect and reconnect flight battery to quadcopter. Follow the binding instructions
	*Quadcopter or transmitter is too close to large metal object, wireless source or another transmitter	Move quadcopter and transmitter to another location and attempt binding again
Yellow screen	*Cable loose/Damaged cable	Use a new cable
	*On-board components fell off	Contact us, we will replace a new Caddx turtle V2 for you
Jello video	*Sunlight too strong	Try a camera lens on it
	*Camera screws loose	Make sure camera mount is fixed
	*Motor stucked	Make sure the motor is good rotating
	*Prop unbalanced	Make sure prop is balanced
	*Frame bolts loose	Make sure your frame bolts are tight
Quadcopter is not lift up	*Wrong prop direction	Change your motor direction or prop direction



**CAUTION:** Changes or modifications not expressly approved by the party responsible for compliance could void the user's authority to operate the equipment.

Huizhou iFlight Innovation Technology Co.,Ltd

F3,NO.2 Huayu Road,Zhongkai Hi-tech Zone,Huizhou,Guangdong,CHINA

Tel: 86-752-3866695 Web: <http://www.iflight-rc.com>

Product info in description depends on the actual product,specifications are subject to be changed without prior notice.

