

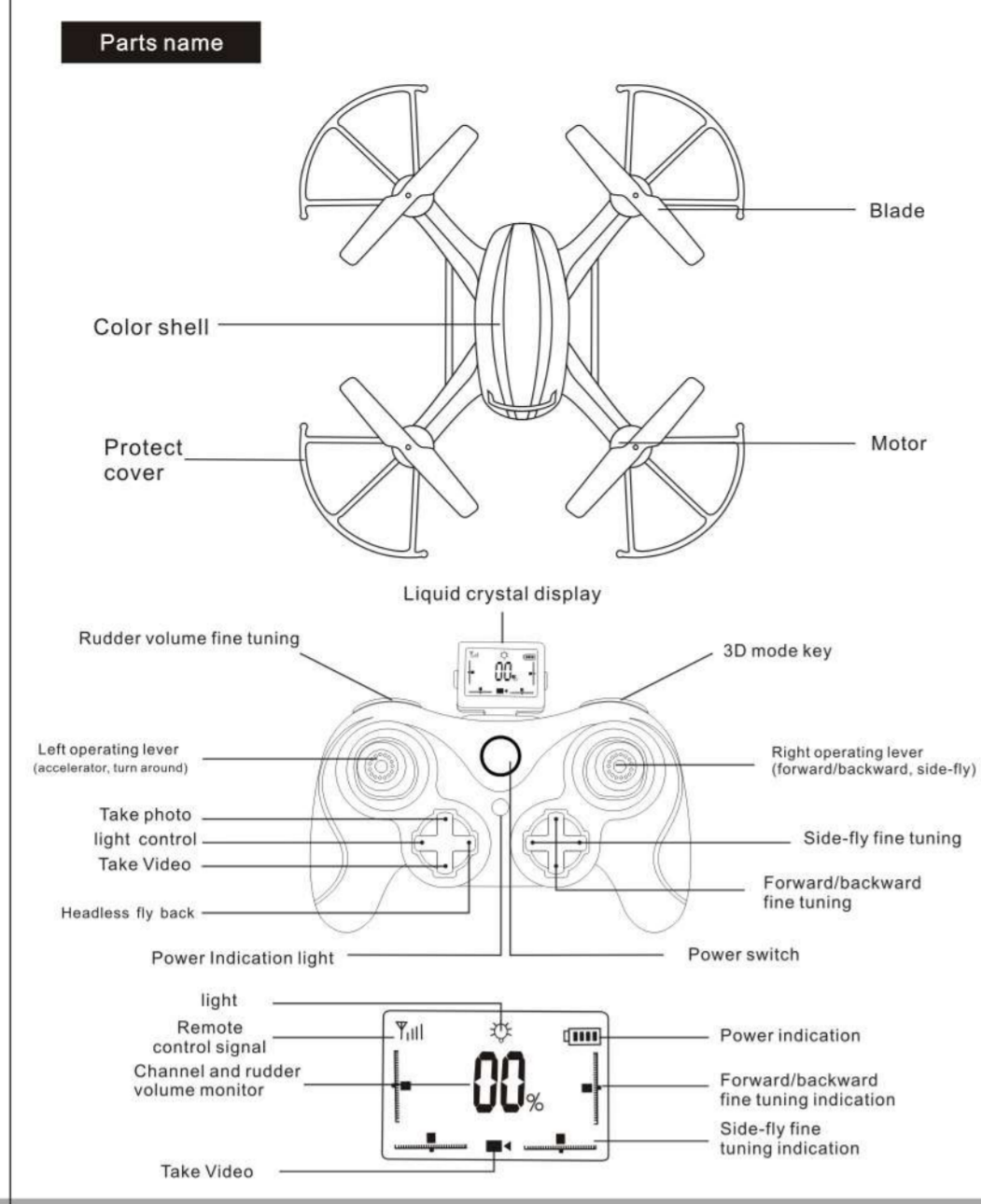
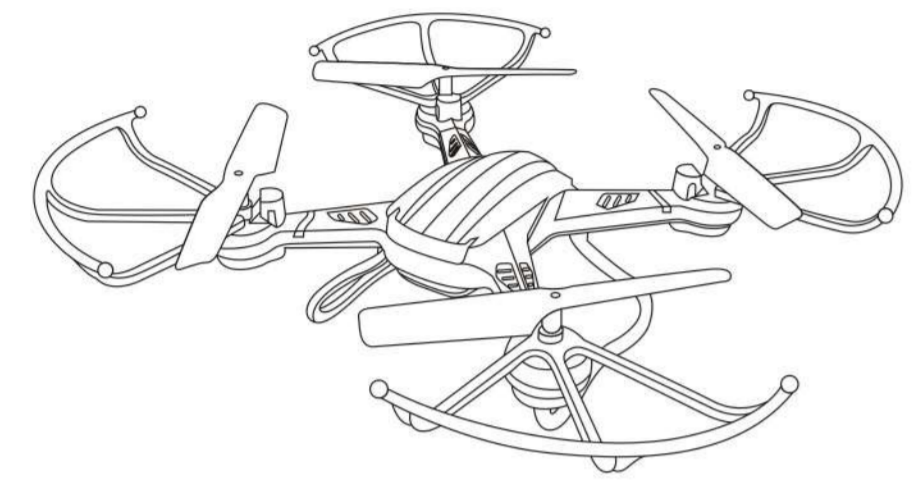
14+ AGES

F+ SERIES

2.4GHz

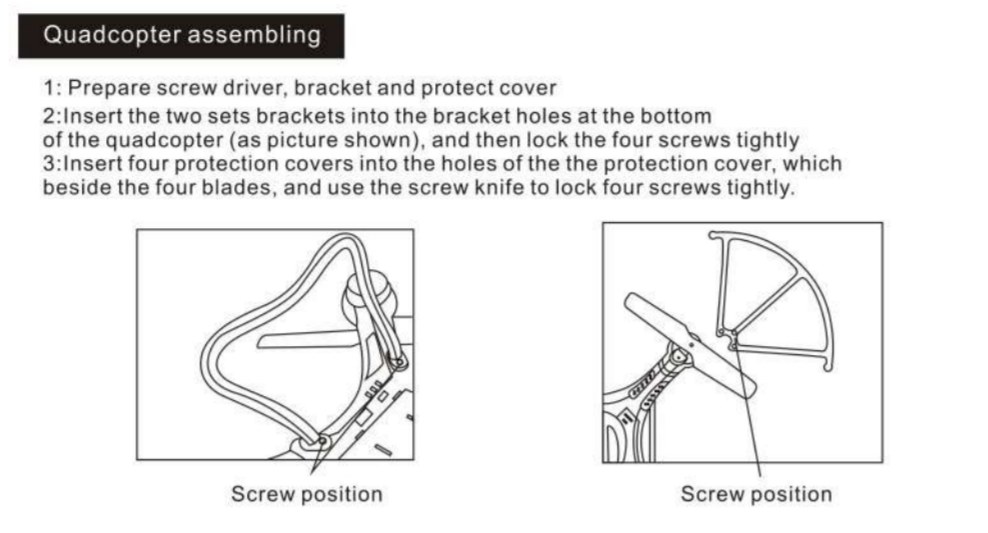
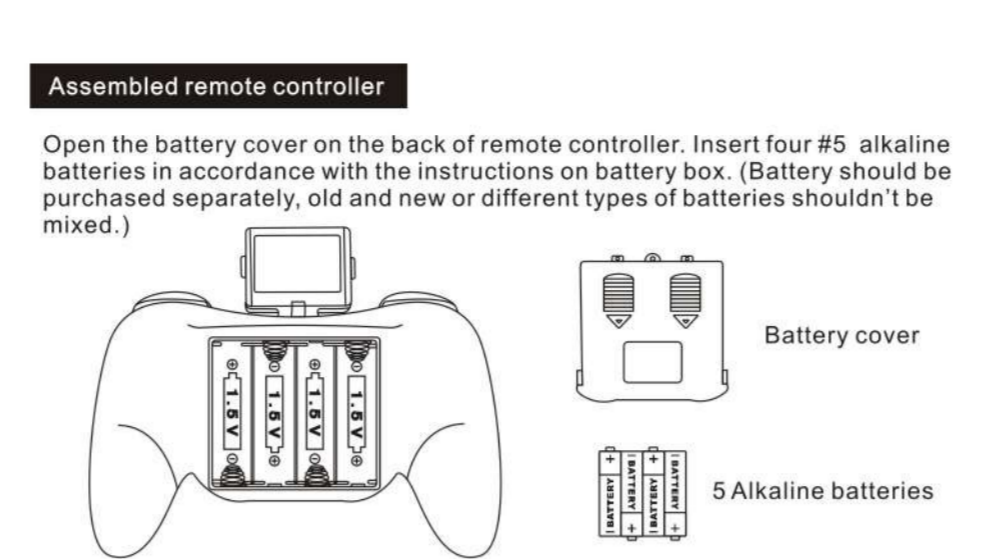
Quadcopter with built in six-axis gyro built in

Instruction for use



Note: Headless fly back key is to enter or exit the headless fly back mode. After enter this mode, the remote control would pronounce "di" intermittently, and the quad copter's indication light would flash as for hint; at the moment that the quad copter is defined as enter this mode, the direction which face the player is defined as the front side; after enter this mode, the quad copter will fly back to the player; when the quad copter enter into the player's visual field, the player only if push the right lever at any direction can makes the quad copter stop flying back, at this moment, no matter the head of the quad copter face to which side, the player only if to push the right lever to front or back or left or right, the quad copter will move to the front or back or left or right, then to realize the headless operation. Press this key again slightly to exit this mode.

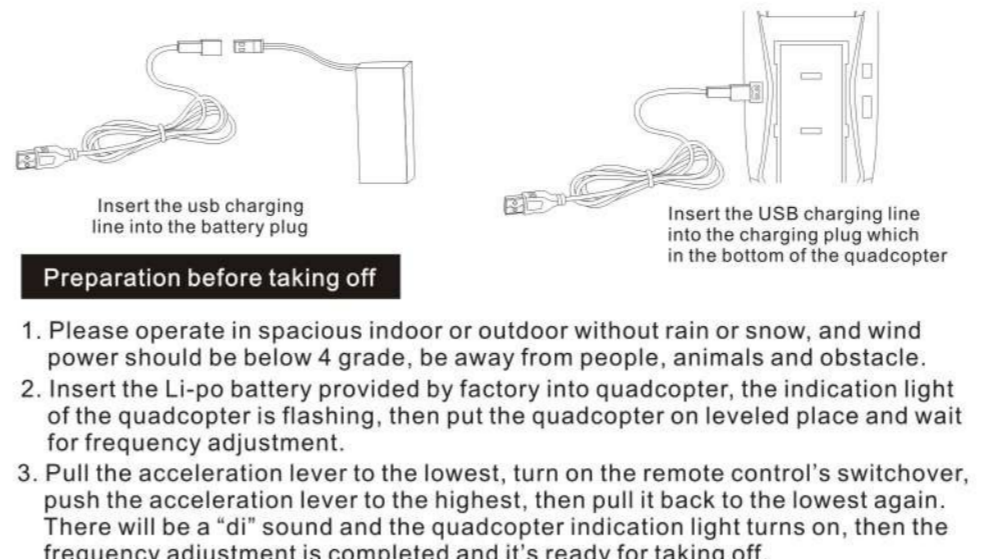
The knowledge and safety notes below are useful for you in the remote control world. Please read this manual carefully before operating this product and keep it for further reference.



Recharge the battery of the quad copter

Insert the factory provided USB charge line into the computer's USB socket, the red indication light turns on, then connect the USB line with the battery or the charge plug which in the bottom of the quad copter, the charge indication light turns off, then it begins charging. When the red indication light turns on again, that represent the recharging process is finished. The recharging time is about 100 minutes.

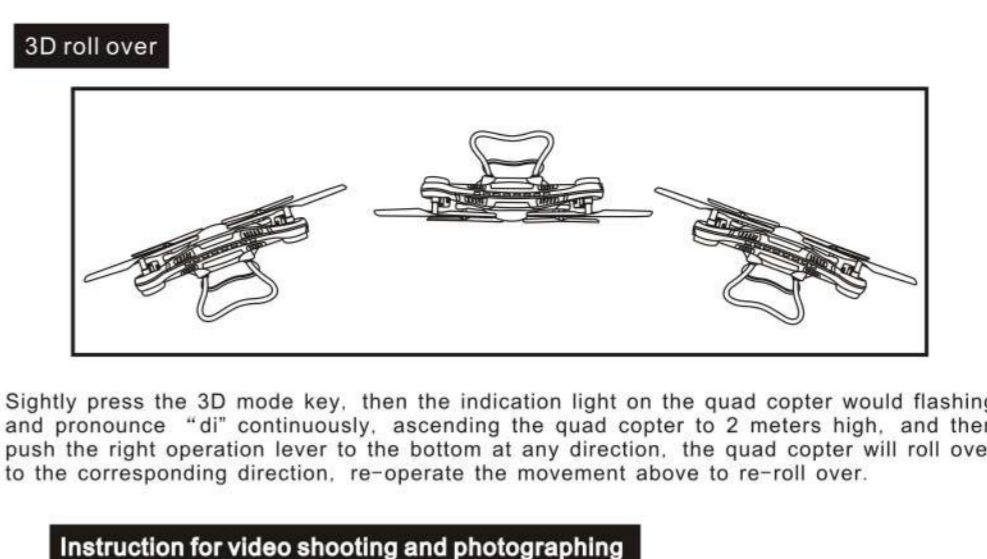
When the quad copter suspending and deviate too much, the player can re-adjust the median size to improve the quad copter's suspending condition. The operation way is to put the quad copter on the level floor, then slightly press the 3D mode which on the remote control's upper-right side, then simultaneously push the two operation lever to the bottom-left for 3 seconds, and release the operation lever after the indication light of the quad copter is flashing, waiting about 2 seconds until the indication light turn into constant on, the re-adjusting of the medium size is finished.



Flying controlled and fine tuning

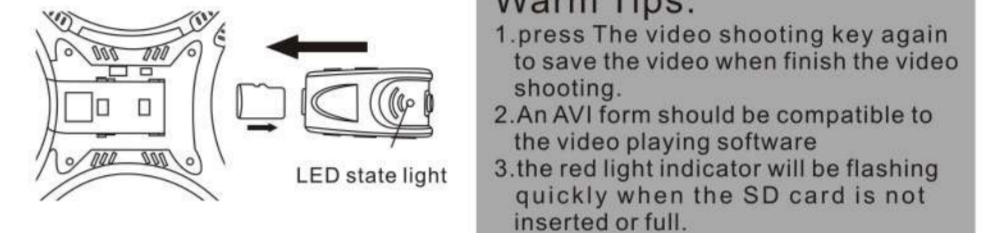
Ascend /descend	When the left operating lever push up or pull down, the quadcopter is ascending or descending.
Turning	When the left operating lever push left or right, the quadcopter turns left or right.
Forward /backward	When the right operating lever push up/down, the quadcopter goes forth/back.
Side Fly	When the right operating lever push left or right, the quadcopter goes to the left or right.
Side-fly fine tuning	When the quadcopter is hovering, and the quadcopter is deviate to left or right, then turn the side-fly fine tuning to right or left until the quadcopter keeps balance.
Forward backward fine tuning	When the quadcopter is hovering and the quadcopter is deviate to forward or backward, turn the forward/backward fine tuning up or down until it keeps balance.

In case that the quadcopter might descend on a further or insecure zone due to the insufficient battery power when flying outdoors, the quadcopter is specially designed with the function of secure warning, when the battery power is insufficient, the led light would turn from constant on to flashing. Then player may have time to take back the quadcopter and change the battery or recharge for the next flight.



Instruction for video shooting and photographing (F182C webcam kit should be purchased additionally)

1. Insert the SD card slightly into the webcam module's card channel, then tie the module as the picture shown to the card position which is at the bottom of the battery box, and then open the upper cover and take out the webcam's plug and insert it into the red video shooting outlet of the circuit board.
2. by pressing the photo mode key, the red light would flash once, meaning that the quadcopter is taking photo; by pressing the video shooting mode key, the red light turns into constant on, meaning that the quadcopter is taking video. Press the video shooting key again to stop the shooting and the red light turns off, that means the video shooting is finished.
3. press the SD card slightly to take it out, then insert the card into the card reader and insert it into the USB outlet of the computer to read the data of aerial photography from "my computer"—"portable hard disk".



Common problem and solution instruction

The problem	Reason	Countermeasures
The indication light of the quadcopter is flashing and without reaction when operated	1. Frequency modulation between the quadcopter and remote control is not operated correctly. 2. Insufficient battery power	1. Refer to the Preparation for taking off and re-modulate the frequency. 2. Recharge the battery

The quadcopter's blades turn around but the quadcopter cannot take off	1. insufficient battery power 2. the blades distorted	1. Recharge the battery 2. Replace the blades
The quadcopter shakes hardly	The blades distorted	Replace the blades
The fine tuning button are all on but the quadcopter still couldn't keep balance	1. The blades distorted 2. The motor doesn't work properly	1. Replace the blades 2. Replace the motor
The quadcopter becomes out of control after crashing	Three-axis acceleration sensor lose its balance after crashing	Put the quadcopter on the ground for 5-10 seconds

Accessories (choose to buy)

14+ AGES

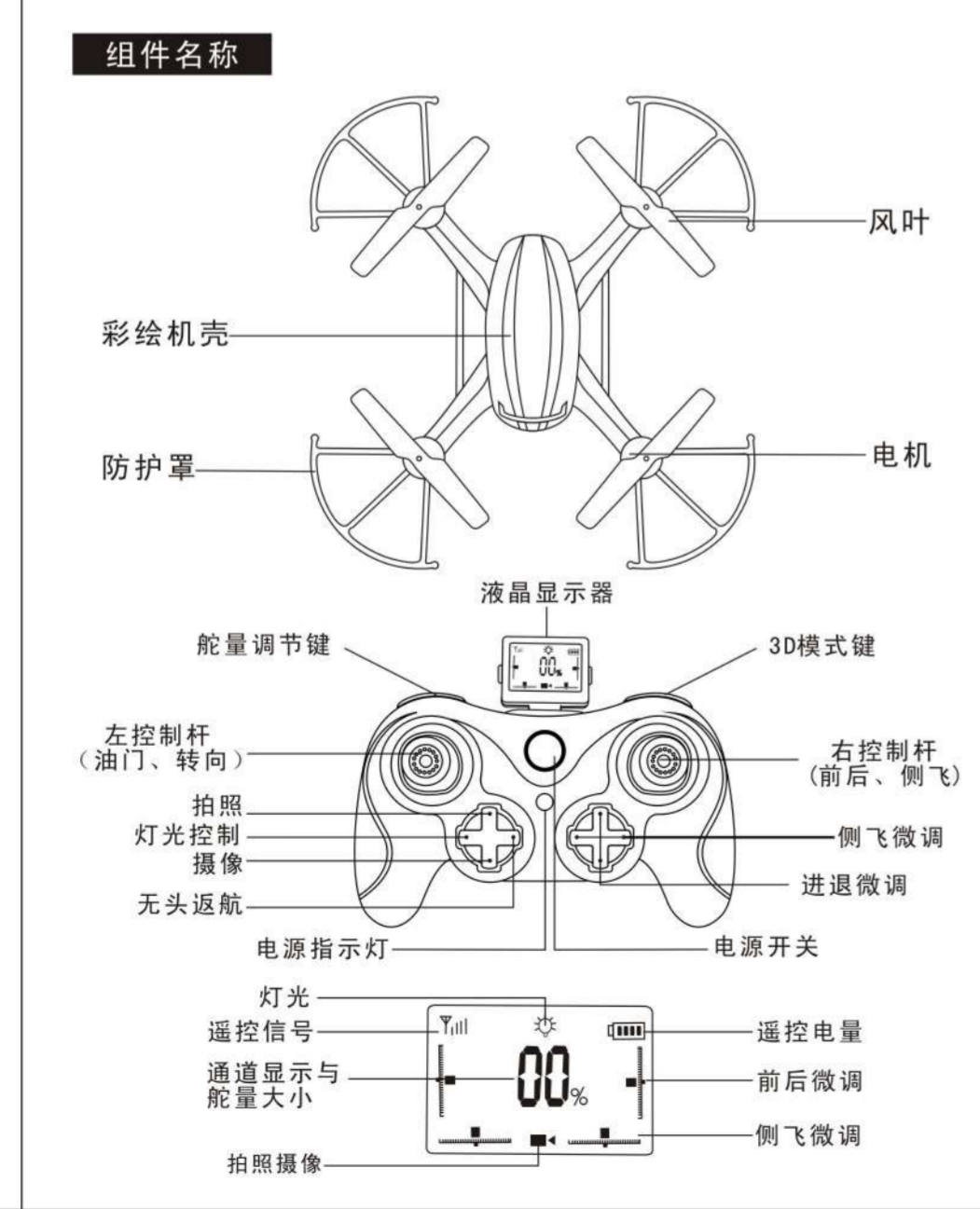
F+系列

2.4GHz

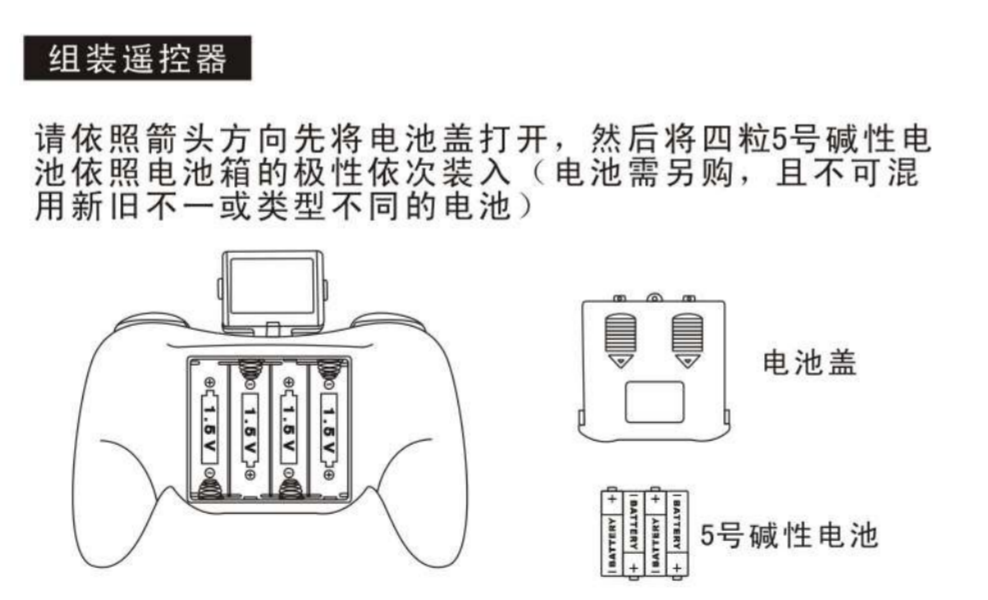
6轴陀螺仪飞行器

使用说明书

进入遥控世界之前必须告诉您许多相关的知识与注意事项, 以确保您能够在学习的过程中得心应手。在开始操作之前请务必详细阅读此说明书, 相信一定能够给您带来相当大的帮助, 也请您妥善保管这本说明书, 以供日后参考。



注: 1. 无头返航模式键可以进入或退出无头返航模式。进入之后, 遥控器会断续的发出“滴”声, 飞行器指示灯闪烁作为提示; 而飞行器则会定义进入此模式瞬间, 飞行器当前朝向玩家面向的方向为前方; 进入之后, 飞行器会自动后退向玩家, 实现返航; 当飞行器进入玩家视野后, 玩家只要向任意方向推动右操纵杆, 飞行器就会停止后退, 此时不论飞行器头朝何方, 玩家只要向前或向后或向左或向右推动右操纵杆, 飞行器就会向前或向后或向左或向右移动, 从而实现无头操控。需退出时, 只需再次轻按此键即可。



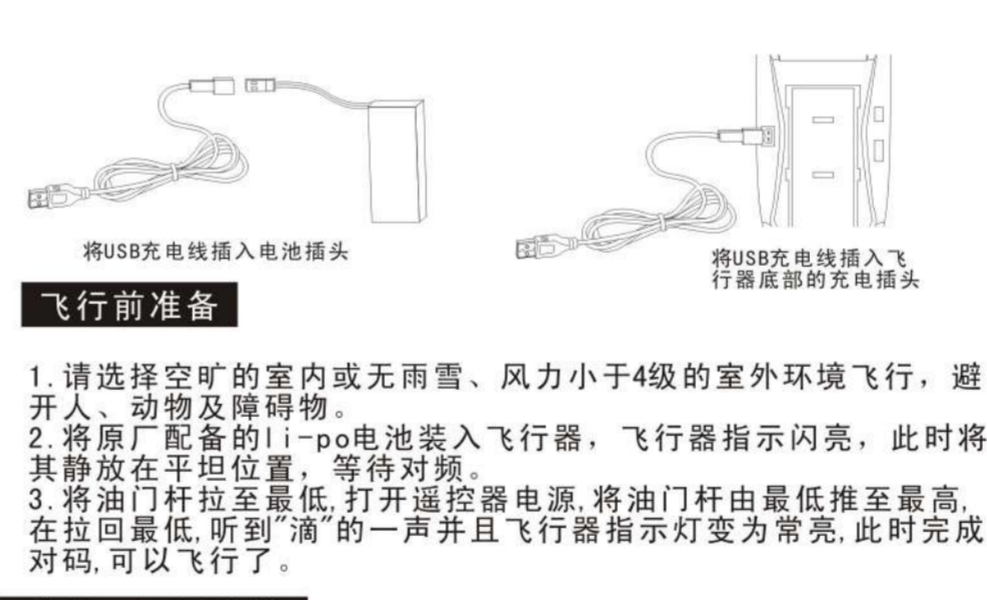
组装飞行器

1. 准备螺丝刀, 脚架以及防护罩;
2. 将两组脚架如图所示插入飞行器底部的脚架孔位内, 并用螺丝刀锁紧四颗螺丝;
3. 将四组防护罩如图所示插入飞行器四组风叶旁的防护罩孔位内, 并用螺丝刀锁紧四颗螺丝。

为飞行器电池充电

将原厂配备的USB充电线插入电脑USB插座, 此时红色指示灯亮起, 然后连接电池或飞行器底部的充电插头, 充电指示灯熄灭, 这样就可以充电了, 当红色指示灯再次亮起的时候就代表充饱了。充电时间约为100分钟。

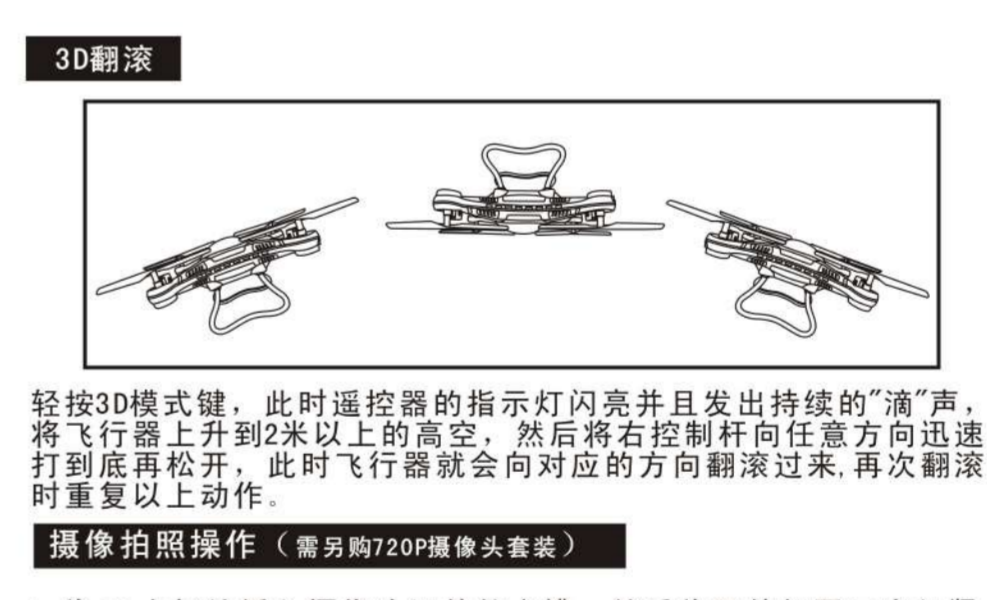
2. 当飞行器悬停偏离较多时, 玩家可以重新校准飞行器的中位来改善飞行器的悬停状态。操作方法是把飞行器放在平坦的地面上, 然后轻按遥控器右上角的3D模式键, 再同时把遥控器的两个操纵杆向左下角打到底约3秒钟, 待飞行器机身的指示灯闪烁后松开操纵杆, 等待约3秒钟指示灯恢复常亮, 校准中位完成。



控制飞行及微调

升降	当左控制摇杆向上或向下推拉时, 飞行器上升或下降。
转向	当左控制摇杆向左或向右推动时, 飞行器向左或向右转弯。
进退	当右控制摇杆向上或向下推动时, 飞行器向前或向后移动。
侧飞	当右控制摇杆向左或向右推动时, 飞行器向左或向右侧飞。
侧飞转向	当飞行器起飞停在空中时, 若飞行器向左侧或右侧偏移, 那么将微调向右或向左按动, 直至平稳。
进退微调	当飞行器起飞停在空中时, 若飞行器向前或向后偏移, 那么将微调向下或向上按动, 直至平稳。

3. 考虑到室外飞行时, 因电量不足导致飞行器降落在较远或不安全地带, 此款飞行器专门设计了安全预警功能, 也就是当电量不足时机身的LED灯由常亮变为闪亮以示警告, 此时玩家应及时收回飞行器, 更换电池或为电池充电后继续进行飞行。



拍摄拍照操作 (需另购720P摄像头套装)

1. 将SD卡轻按插入摄像头组件的卡槽, 然后将组件如图示意抓紧在电池盖底部的卡位内, 最后将摄像头引线的插头插入机壳底部的红色的摄像插座内。
2. 当按下遥控器拍摄按键时绿灯熄灭红灯闪亮一下, 表示飞碟在拍摄相片。当按下遥控器摄像按键时绿灯熄灭红灯慢闪, 表示在录制视频, 需要停止录制时再次按下摄像按键, 此时红灯熄灭绿灯亮起, 表示完成一段录制。
3. 当航拍结束需要读取航拍数据时轻按SD卡将其取出, 然后将卡插入读卡器再插入电脑USB插口, 可从“我的电脑”-“移动硬盘”读取航拍数据。



常见问题解决指引

问题	原因	对策
飞行器指示灯闪烁操作无反应	1. 飞行器与遥控器未对频成功 2. 飞行器电量不足	1. 参照《飞行前准备》重新对频 2. 为电池充电

飞行器风叶转动但飞不起来	1. 电池电量不足 2. 风叶变形	1. 为电池充电 2. 更换风叶
飞行器震动得厉害	风叶变形	更换风叶
微调调到底了但仍不能使飞行器平稳	1. 风叶变形 2. 马达不良	1. 更换风叶 2. 更换马达
撞击后再次起飞飞行器不受控制随意乱飞	三轴加速度传感器因撞击失去平衡	将飞行器静放5-10秒后就可以了

配件(选购)