

NH330 Mini Drone

USER MANUAL

» DISCLAIMER AND SAFETY GUIDELINES

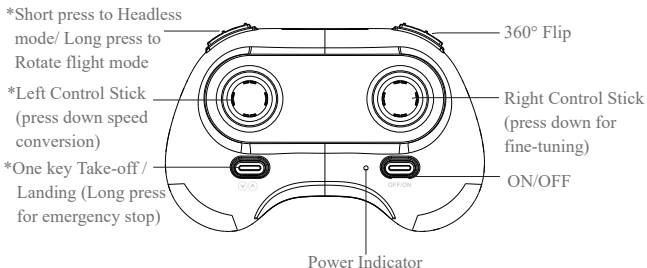
1. DO NOT look directly into the drone light.
2. DO NOT treat the product as household waste.
3. DO NOT fly above or near obstacles, crowds, open water, public road, high voltage power lines or trees.
4. DO NOT use the drone in severe weather conditions. These include wind, snow, rain, smog, hail, lightning, tornadoes or hurricanes.
5. Stay away from the rotating propellers and motors to avoid some tiny objects (e.g. hair) to get into them.
6. This drone does not come with GPS module. Please fly the drone within the control range.
7. Be sure to observe all local regulations, obtain appropriate authorizations and understand risks. Please note it is solely your responsibility to comply with all flight regulations.

NEHEME accept no liability for damage, injury or any legal responsibility incurred directly or indirectly from the use of this product. The user shall observe safe and lawful practices including, but not limited to, those set forth in these Safety Guidelines. NEHEME reserves the right to update this user manual.

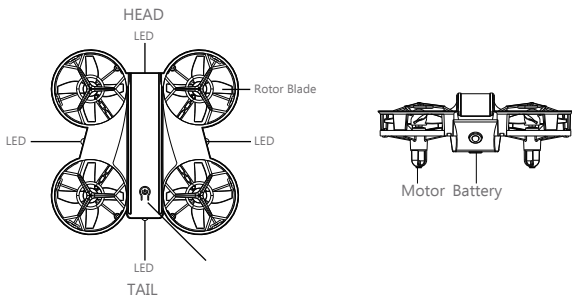
» MAINTENANCE AND CARE

1. Thoroughly check the drone after crash or violent impact.
2. Do not charge battery before it cools down.
3. Remove the batteries if the product will not be in use for a long time.
4. Do not over charge the battery. Unplug the charger once it's fully charged.
5. Store the drone and remote in a cool, dry place away from direct sunlight.
6. Do not charge the battery next to inflammables, such as carpet, timber floor etc., or on the surface of electro-conductive objects. Please always keep an eye on the battery while charging.
7. Please use the original battery provided. Use an incorrect type of battery may lead to fire hazards.
8. Do not dispose of the battery in fire or a hot oven, cut or mechanically crush the battery, as this may cause explosions.
9. Do not leave the battery in an extremely high-temperature environment that can result in an explosion or the leakage of flammable liquid or gas.
10. Do not expose the battery to the extremely low air pressure, as this may result in an explosion or the leakage of flammable liquid or gas.

» PRODUCT OVERVIEW

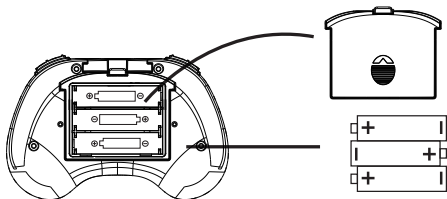


Note: Press and hold the One Key Take-off / Landing button for 3s to make an emergency stop.



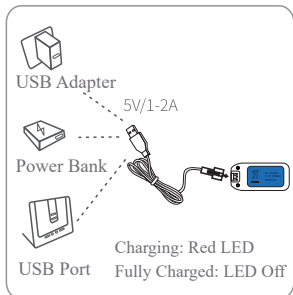
» FLIGHT PREPARATION

1. Install the remote batteries.

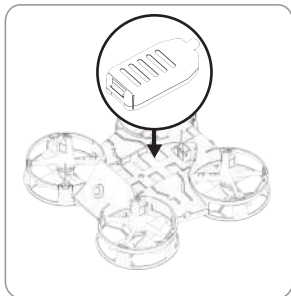


Make sure the batteries have enough power. 3*1.5V AAA(batteries not included)

2. Charge the battery of the drone.



3. Install the drone battery after it's fully charged.



Tips:

1. For your safety, please use the original battery and USB cable.
2. Flight time of the battery may be reduced when flying in cold weather.
3. Free the battery of any sharp objects that could puncture into the battery to avoid risks of explosions and fire.
4. There is continuous beeping sound from the remote and the LED on the drone will flash quickly when the battery of the drone is low.
5. To extend the battery's lifespan, recharge it at least once every three months if not using it for long periods of time.

» FLIGHT OPERATION GUIDE

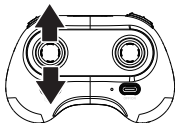
Note:

- * Make sure you power on the drone first, then the remote in each flight.
- * Do repeat the pairing procedure each time when the drone or remote is restarted.
- * For all flight functions and modes, the operator and tail of the drone must be aligned.

Pair the Remote with the Drone

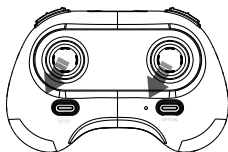
Step 1: Turn on the drone, then the remote. The LED on the drone start to flash, then put the drone on a flat surface with the head forward.

Step 2: Push the **Left Control Stick** forward to the top, then pull it backward till the bottom. Pairing is successful when the LED on the drone is solid on.




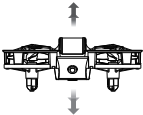

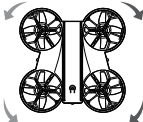
Flight Calibration

Move both control stick to lower left in 45° and hold for 2-3 second after the pairing. The calibration completes when the LED on the drone turns to solid on from quick flash.







Instructions of the Remote


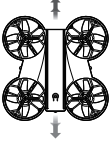
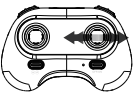

Left Control Stick

<p>Ascend and descend</p> 		<p>Push the Left Control Stick forward and the drone will ascend; pull it backward and the drone will descend.</p>
<p>Rotate Left and Rotate Right</p> 		<p>Push the Left Control Stick leftward and the drone will rotate to the left; pull it rightward and the drone will rotate to the right.</p>

Right Control Stick

<p>Forward and Backward</p> 		<p>Push the Right Control Stick forward and the drone will fly forward; pull it backward and the drone will fly backward.</p>
<p>Leftward and Rightward</p> 		<p>Push the Right Control Stick leftward and the drone will fly leftward; pull it rightward and the drone will fly rightward.</p>

Flight Trimming

		<p>Press down the right remote stick to enter fine-trimming, press the right stick up/down to backward/forward trimming.</p>
		<p>Press down the right remote stick to enter fine-trimming, press the right stick left/right to rightward/leftward trimming.</p>

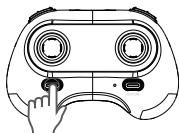
Altitude Hold / Hover

This is one of the default setting in the drone. When you release the **Left Control Stick** after the ascending/descending action, the drone will hover at the current flight height. For a stable flight. press the trim buttons to adjust accordingly.

Take-off

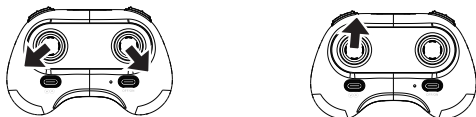
Option 1:

Press the  button to take off.



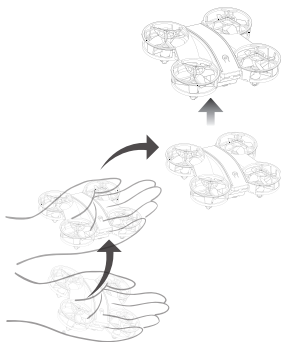
Option 2:

Move the **Left Control Stick** to lower left in 45° and the **Right Control Stick** to lower right in 45° at the same time until four rotor blades start rotating, then slowly push the **Left Control Stick** forward to take off.



Option 3:

Place the drone in your palm with the LED indicator in the front, then gently throw it into the air.

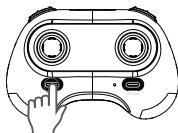


- * Please make sure there is enough space while throwing the drone up. We recommend this option only when the operator is skilled in basic operation.
- * Do not throw the drone to go when its LED flashes quickly. Please restart the drone and remote, repeat the pairing and calibration procedures, then throw again.

Landing

Option 1:

Press the  button to take off.



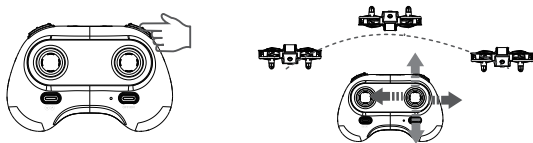
Option 2:

Pull the **Left Control Stick** backward to the bottom to land the drone, and hold it for 3s at least until all the rotor blades stop rotating.



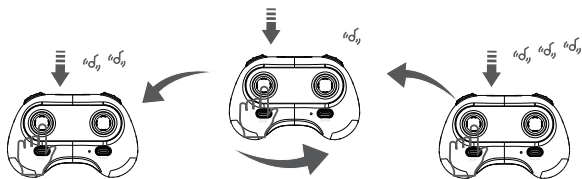
360 °Flip

After flying the drone to a height over 2 meters, press the 360 ° flip button to activate 360 ° flip function. Then move the **Right Control Stick** forward/backward/leftward/rightward to flip the drone accordingly.



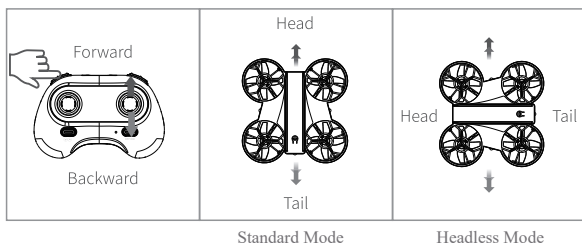
Speed Switch

The drone is set to low speed by default. Press the **Left Control Stick** down once for medium speed and there are two beeps from the remote. Press it down again for high speed and there are three beeps from the remote. A third press will get back to low speed and there is one beep from the remote.



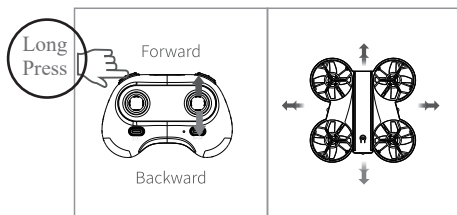
Headless Mode

Press the Headless button to activate the function. In this mode, the drone will fly following the direction of the **Right Control Stick** regardless of the position of your drone's head or the tail. The LED on the drone will flash and there is beeping sound from the remote. Press the same button again to exit this mode.



360 degree Rotate

Long press the rotate button to activate the function. In this mode, the drone will into Headless function automatic. Long press the same button again to exit this mode.



» SPECIFICATIONS

Drone	
Operating Temperature	32°F to 104°F (0°C to 40°C)
Frequency Range	Model NH330: 2.416-2.475 GHz
Remote	
Frequency Range	Model NH330: 2.416-2.475 GHz
Transmit Power (EIRP)	Model NH330: 2.4GHz<18dBm
USB Cable	
Input	5V $\overline{\text{---}}$ 1-2A
Output	4.2V $\overline{\text{---}}$ 300mA
Rated Power	1.26W

FCC Caution:

This device complies with Part 15 of FCC Rules. Operation is subject to the following two conditions: (1) this device may not cause harmful interference, and (2) this device must accept any interference received, including interference that may cause undesired operation.

Warning! Any changes or modifications not expressly approved by the party responsible for compliance could void the use's authority to operate the equipment.

NOTE: This equipment has been tested and found to comply with the limits for a Class B digital device, pursuant to part 15 of the FCC Rules. These limits are designed to provide reasonable protection against harmful interference in a residential installation. This equipment generates, uses and can radiate radio frequency energy and, if not installed and used in accordance with the instructions, may cause harmful interference to radio communications. However, there is no guarantee that interference will not occur in a particular installation. If this equipment does cause harmful interference to radio or television reception, which can be determined by turning the equipment off and on, the user is encouraged to try to correct the interference by one or more of the following measures:

- Reorient or relocate the receiving antenna.
- Increase the separation between the equipment and receiver.
- Connect the equipment into an outlet on a circuit different from that to which the receiver is connected.
- Consult Customer Service or an experienced radio/TV technician for help.

Manufacturer

Guangzhou Huosejie Trading Co., Ltd.

Address: 407-52N, 4th Floor, Building 3, No. 133 Yanling Road, Tianhe District, Guangzhou, China

EC	REP
----	-----

eVatmaster Consulting GmbH
 Bettinastr. 30 60325 Frankfurt am Main, Germany
contact@evatmaster.com

UK	REP
----	-----

EVATOST CONSULTING LTD
 Suite 11, First Floor, Moy Road Business Centre, Taffs Well,
 Carfiff, Wales, CF15 7QR
contact@evatmaster.com

NEHEME Customer Service



support@neheme.com



www.neheme.com/support



[@NehemeDrone](https://www.facebook.com/NehemeDrone)



[Neheme Drone](https://www.youtube.com/NehemeDrone)